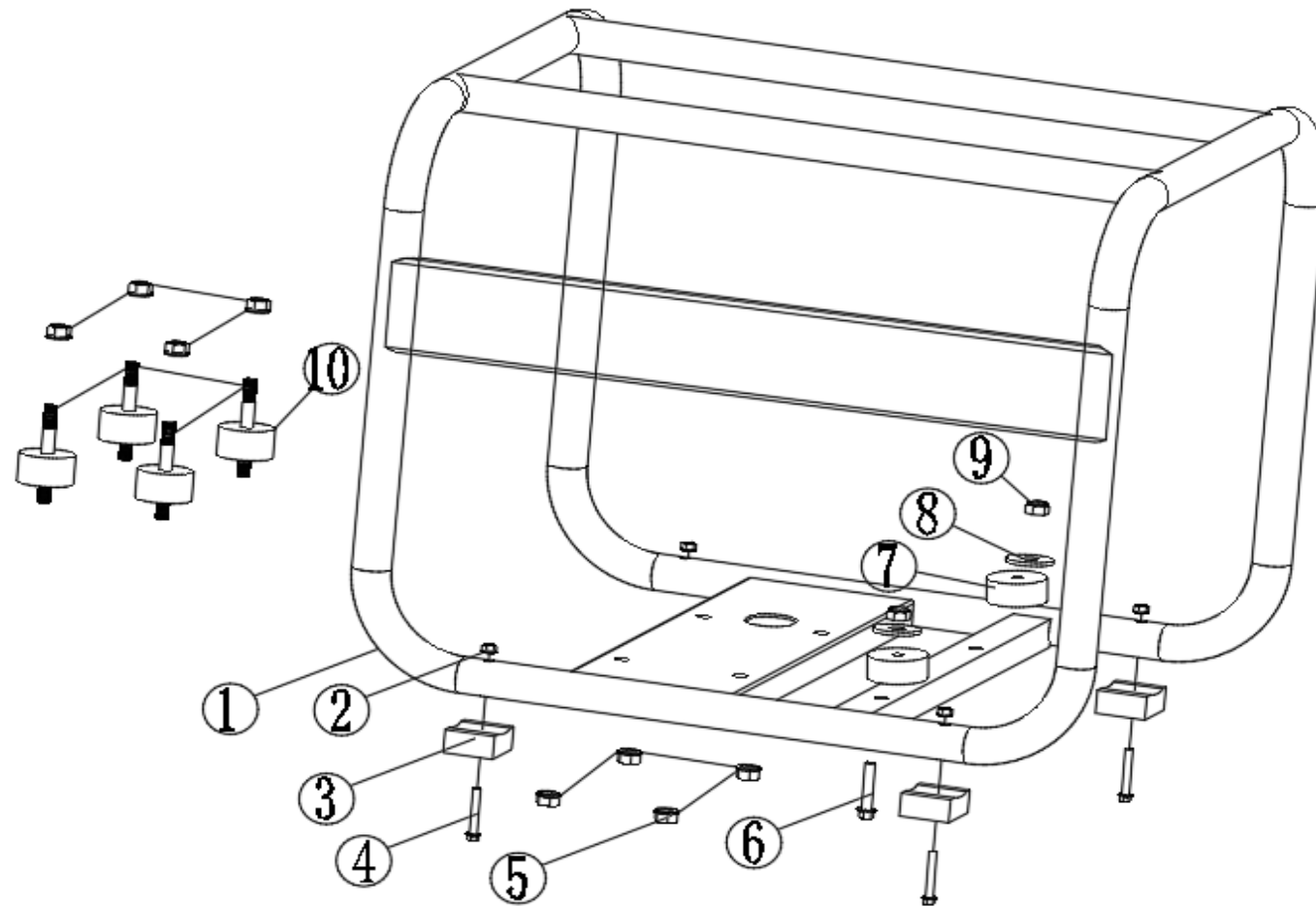


EXPLOZIE PIESE DE SCHIMB Motopompa SCWP-80E



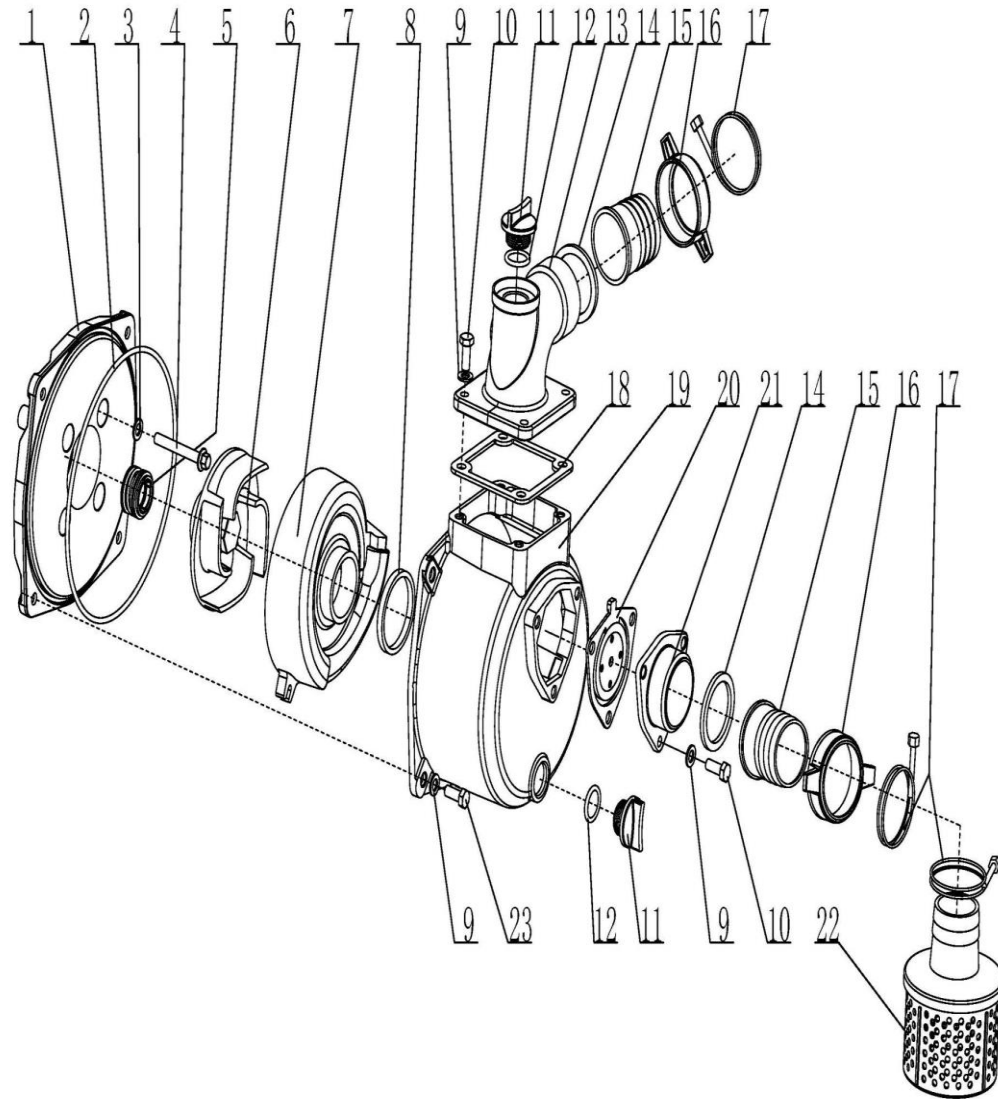
Frame assy



NO.	Part NO.	Description		QTY (PC)
			English	

1	20090-00037-00		Frame assy	1
2	30128-00011-01	M6	nut	5
3	34030-00066-01		shock absorption seat	4
4	30114-00019-01	/M6*1/45	bolt	4
5	30125-00003-01	M8*1.25	nut	8
6	30101-00400-01	M6*1/14	bolt	1
7	34030-00077-01		shock absorption seat	1
8	NA	NA	NA	NA
9	NA	NA	NA	NA
10	34030-00056-01		bolt absorption seat	4

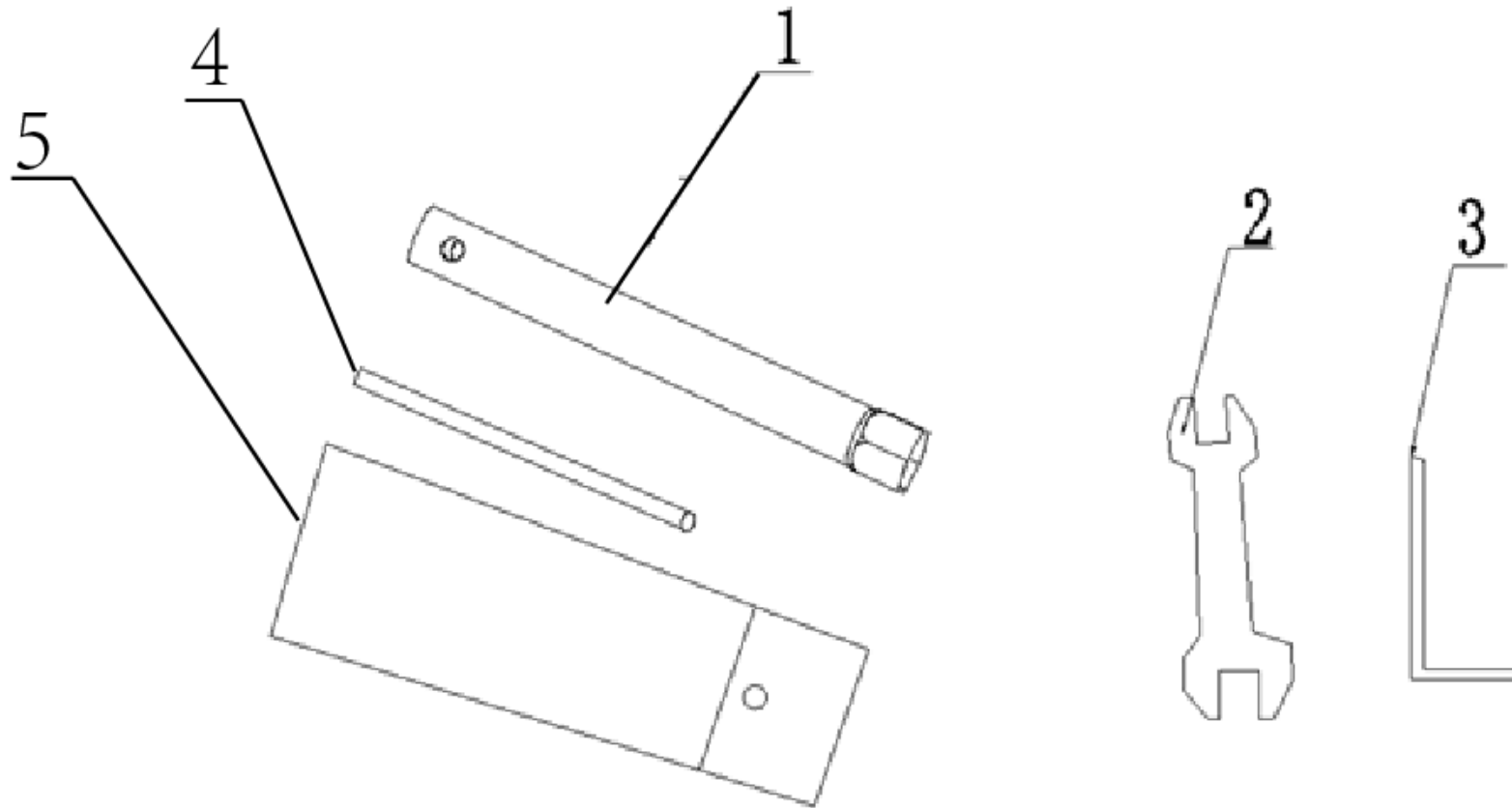
pump assy



NO.	Part NO.		
		English	QTY (PC)

1	70010-04154-00	end cover seat	1
2	33048-00122-00	O ring	1
3	30136-00078-00	AL washer	4
4	/	bolt	4
5	70010-02590-00	mechanical seal	1
6	70010-00173-00	impeller	1
7	70010-04155-00	volute	1
8	70010-03683-00	volute gaset	1
9	30136-00078-00	AL washer	8
10	/	bolt	4
11	70010-01569-00	plug	2
12	30152-00133-00	O ring	2
13	70010-00946-00	outlet	1
14	33275-00015-00	gasket	2
15	33001-00037-00	pipe connector	2
16	70003-00852-00	wrench cap	2
17	34024-00044-00	clamp	2
18	33048-00123-00	outlet gasket	1
19	70010-04313-00	pump body	1
20	70010-00907-00	return valve	1
21	70010-00740-00	inlet	1
22	34037-00315-00	filter net	1
23	/	bolt	4

accessory



NO.	Part NO.	Description		QTY (PC)
			English	

1	70003-00876-01	M21*180	spark sleeve	1
2	70003-00909-01	/8~10/	spanner	1
3	70003-00858-01	4/L	spanner	1
4	70003-00868-01	7*131	strength rod	1
5	52006-00025-01		tool bag	1